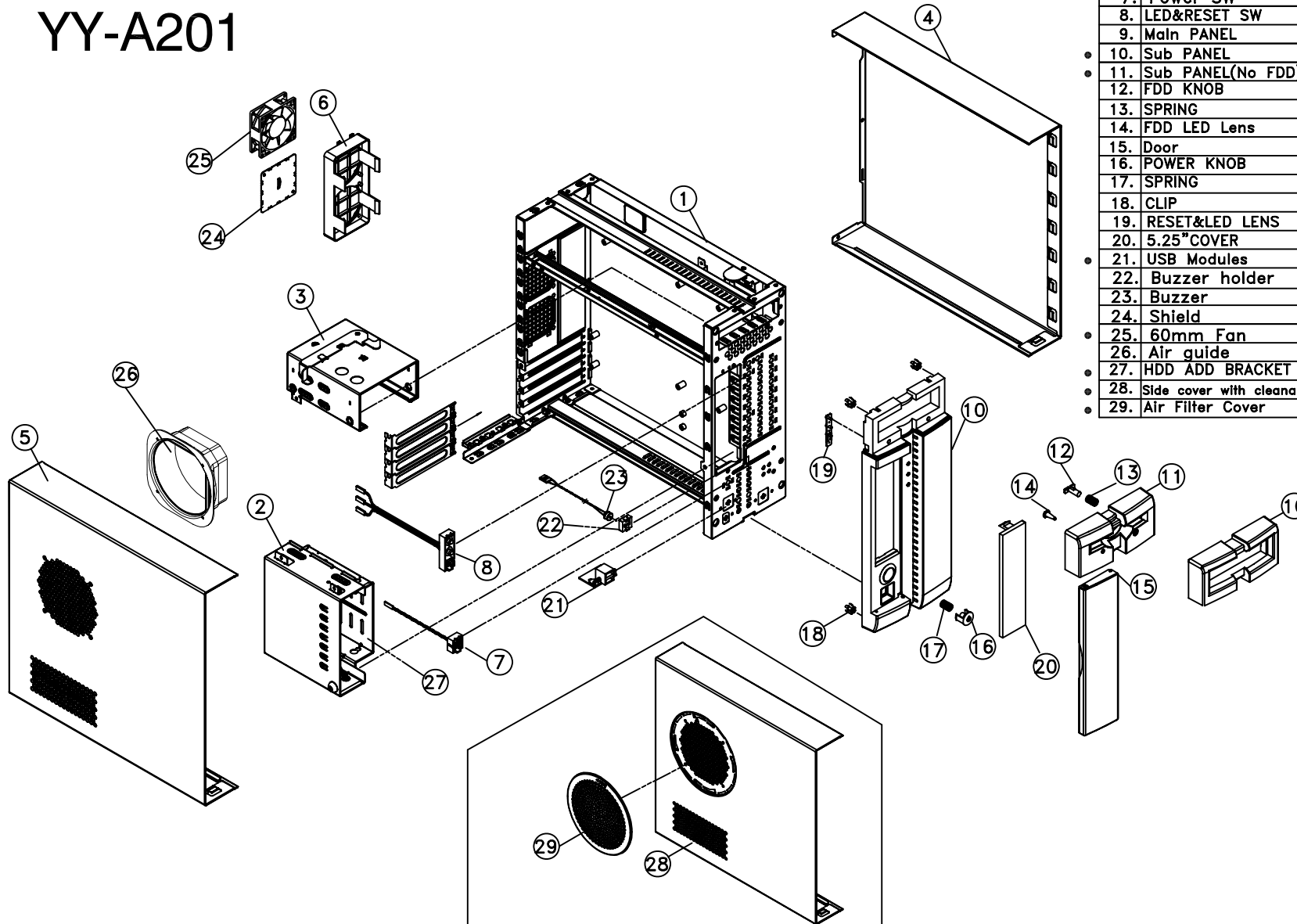




YY-A201



Item	Part Name	Q'TY	Remark
1.	Chassis	1	N0001-A2011
2.	5.25" driver bracket	1	N0206-A2081
3.	3.5" driver bracket UNIT	1	N0018-A2001
4.	Side cover	1	N0201-A2081
5.	Side cover(with holes)	1	N0201-A2082
6.	Fans BRACKET	1	N0323-A2002
7.	Power SW	1	N0401-A2401
8.	LED&RESET SW	1	N0405-A2401
9.	Main PANEL	1	N0301-A1011
10.	Sub PANEL	1	N0302-A1010
11.	Sub PANEL(No FDD)	1	N0302-A1018
12.	FDD KNOB	1	N0304-34911
13.	SPRING	1	N5407-04161
14.	FDD LED Lens	1	N0306-A1011
15.	Door	1	N0308-A1010
16.	POWER KNOB	1	N0303-54910
17.	SPRING	1	N5407-07161
18.	CLIP	4	N5512-00001
19.	RESET&LED LENS	1	N0306-92011
20.	5.25" COVER	1	N0311-34AHO
21.	USB Modules	1	N0802-00001
22.	Buzzer holder	1	N0316-00001
23.	Buzzer	1	N0503-00301
24.	Shield	1	N0219-A1081
25.	60mm Fan	1	0601-00003
26.	Air guide	1	N0018-A2001
27.	HDD ADD BRACKET	1	N0205-A2081
28.	Side cover with cleanable filter	1	N0201-A208G
29.	Air Filter Cover	1	N5501-00003

● Optional accessory